

## TECHNICAL DATA

Weight:	110 kg
Grill Rack size:	380 x 570 mm
Capacity:	10 kg meat / h
Working temperature:	250 - 350 °C
Av. daily charcoal cons.:	3 - 6 kg

## PACKAGE

Weight:	120 kg
Package dimensions:	800 x 600 x 650 mm

## STANDARD EQUIPMENT

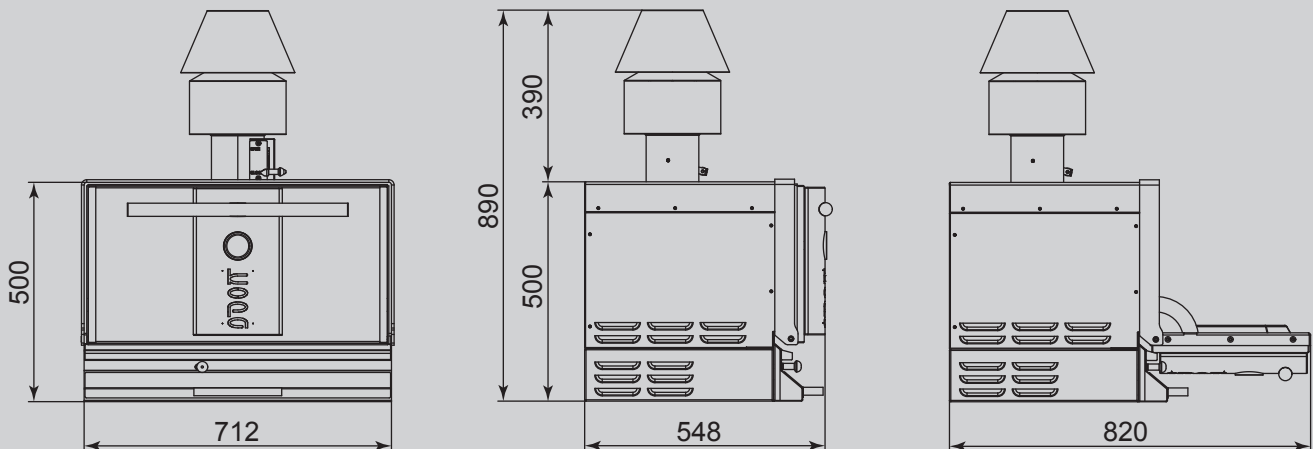
Firebreak  
 Firebreak Hood  
 Grill Rack  
 Thong  
 Ash Drawer

## OPTIONAL EQUIPMENT

Additional Grill Rack  
 Additional Thong  
 Brush



## TECHNICAL DRAWINGS



Available in these colors:



Red



Black



Brown



Shiny metal and gold\*  
 \*surcharge